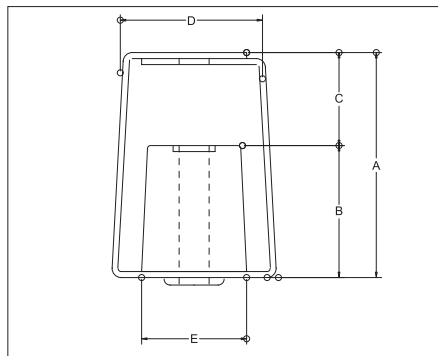


Introduction

Vibration Isolation Hangers effectively Isolate transmission of Vibration and Structurally Sound. Hangers prevent many installation errors by permitting degree of freedom of movement of piping thus frequently eliminating the need of Flexible Hose Connections. Hangers will also take care of expansion problems of riser Pipe lines

Specifications :

- Constructed of a Neoprene Element in a square bracket.
- Compact Model for Space Saving Installations.
- Low cost, low deflection hanger for machinery with operating speeds of >1000RPM



Model No.	Point Load Kgs	Deflection mm	Rod Size mm	Hanger Dimensions (mm)				
				A	B	C	D	E
EFRH120	120	6	10	95	40	35	55	41
EFRH070	70	6	8	61	33	28	50	31
EFRH035	35	8	8	61	33	28	50	31
EFRH025	25	6	8	61	33	28	50	31

Typical Suspension Applications

- Accoustical Ceiling
- Air Handling Units
- Air Conditioner
- Axial Fans Blowers
- Cooling and Heating Equipment
- Ductwork Exhaust System
- Fan Coil Units

- Due to policy of continual improvement, the specifications are subject to change without prior notice.
- Measurements are subject to 5% tolerance.
- To achieve good sound suppression do not over load fitting.