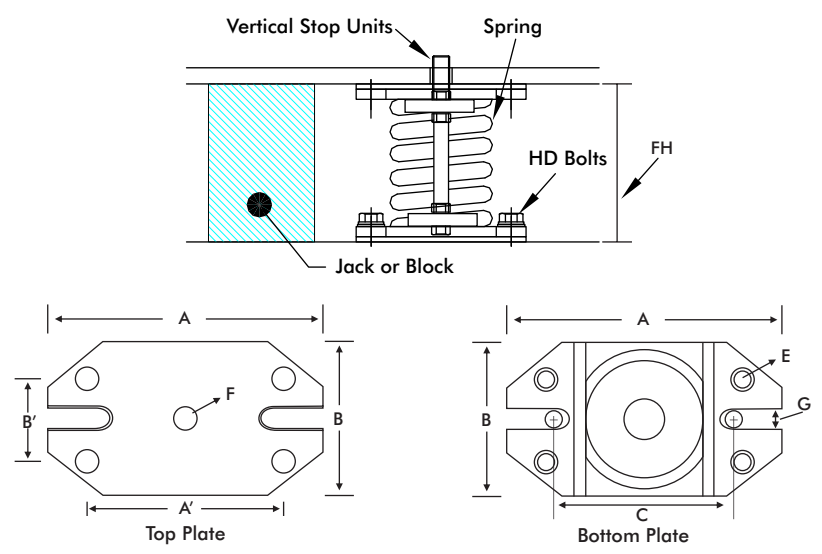




Design Data & Dimensions

PART NO.	COLOUR CODE	RATED LOAD (KG)	DEFLECTION AT RATED	DIMENSIONS (mm)									
				A	A'	B	B'	C	E	F	G	FH	
EFSIVSU25/30	YELLOW	30	25										
EFSIVSU25/60	LIGHT BLUE	60	25										
EFSIVSU25/100	GREEN	100	25										
EFSIVSU25/160	ORANGE	160	25										
EFSIVSU25/200	RED	200	25	135	86	72	47	84	Ø8	M10	M8	84MM	
EFSIVSU25/250	PURPLE	250	25										
EFSIVSU25/300	GREY	300	25										
EFSIVSU25/400	ORANGE	400	25										
EFSIVSU25/500	BROWN	500	25										
EFSIVSU25/600	BLACK	600	25	136	93	82	57	91	Ø12	M16	M8	105MM	
EFSIVSU25/800	RED	800	25										

Spring Stiffness is linear over its working range.



Compliance - Springs designed according to BS 1726 (Part 1) and recommendations made by SAE (US) and ASHRAE

- Due to policy of continual improvement, the specifications are subject to change without prior notice.
- Measurements are subject to 5% tolerance.
- To achieve good sound suppression do not over load fitting.
- Compliance - Springs designed according to BS 1726 (Part 1) : 1987 and recommendations made by SAE (US)