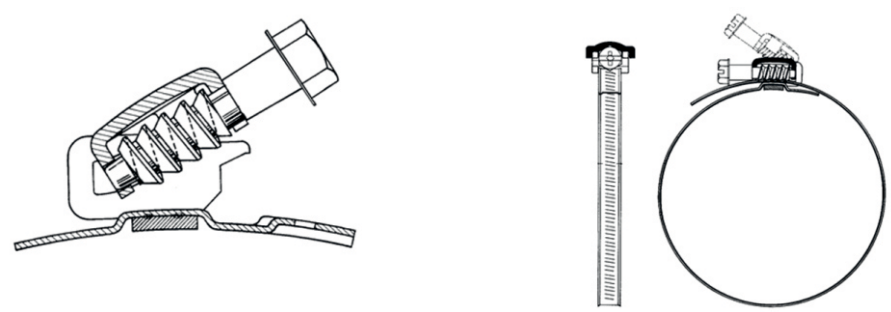
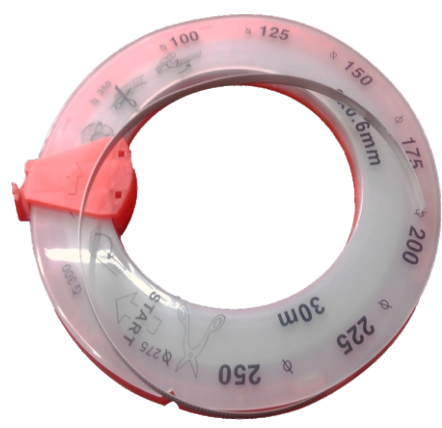


General description

The CBR fastening band allows you to create a custom made fastening band.
 The band is supplied in a dispenser with markings for easy and efficient cuts at the appropriate length.
 The CLD locking device is specially designed to fit our CBR band. Thanks to its tilting screw cage it is easy to adjust at proper perimeter or length.
 Fastening bands are used for quick and easy tightening of flexible ducts.



Technical description

BAND CBR	MATERIAL	stainless steel AISI 430 EN
	LENGTH	roll of 30 m
	WIDTH	9 mm
	THICKNESS	0,6 mm
LOCKING DEVICE CLD	MATERIAL	zinc coated steel, passivation free of Cr6+
	SCREW	Hexagonal head Phillips end slotted