

H FRAME KIT

The H Frame Kit is a quick and easy solution to support all cable management ducting and pipework.

H Frames are supplied in box form.

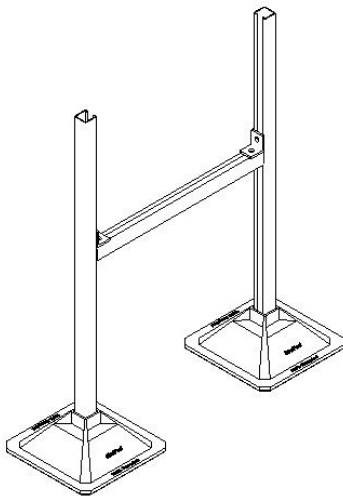
They are designed to use channel which is not supplied. As a module our manufacturing can fabricate the H Frames in house to speed up the process of installation on site.

H Frame Kit Includes

| Product | Quantity |
|--------------|----------|
| Plastic Feet | x 2 |
| Fixing Kit | x 1 |

Product Information

| Part No | Feet Size (mm) | Product Weight (kg) | Frame S.W.L (kg) |
|---------|----------------|---------------------|------------------|
| EF-3305 | 305 | 4.1 | 350 |
| EF-3500 | 500 | 10 | 500 |



- High Density Polyethylene (HDPE)
- Designed to fit channel (not supplied)
- No penetration of waterproof roof membrane
- Anti-vibration pads pre attached to feet
- Off site cutting & delivery service available

Available in 305mm & 500mm

- S.W.L for R305mm - 350Kg
- S.W.L for R500mm - 500Kg

