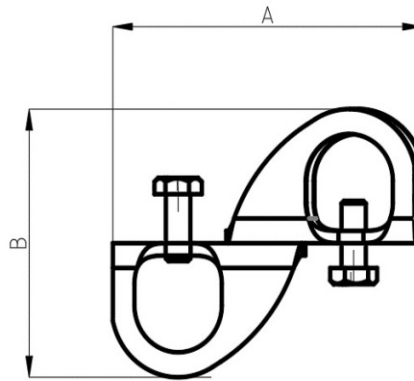


4-WAY ADAPTOR



Function:

Can be used for four direction pipe fixation. Suitable for fixing pipe Dn200.

Material:

Carbon Steel

Finish:

Electro-galvanized

Ordering:

Specify Size

Item	Size (inches)	A (mm)	B (mm)	Maximum design load		
				(lbs)	(kg)	(N)
GJSX	1"	121	95	1000	450	4450