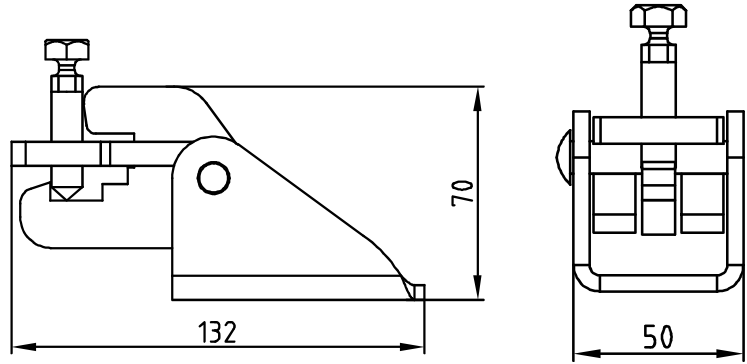


STRUCTURAL ATTACHMENT



Function:

It is suitable for the lateral and longitudinal seismic support connected with the wall, and the seismic parts are rigidly connected with the building by tightening the steel or steel pipe through the torque bolt. The connecting part adopts advanced riveting and pressing technology to prevent parts from falling off. High strength backstop bolts can also be used according to customer requirements.

Material:

Carbon Steel

Finish:

Electro-galvanized

Ordering:

Specify Size

Item	Size	Support Pipe	Assembly longitudinal and transverse loads					
			Minimum Load (lbs)	Minimum Load (kg)	Minimum Load (N)	Maximum Load (lbs)	Maximum Load (kg)	Maximum Load (N)
L1703	14	1"	1885	848	8385	4147	1866	18447