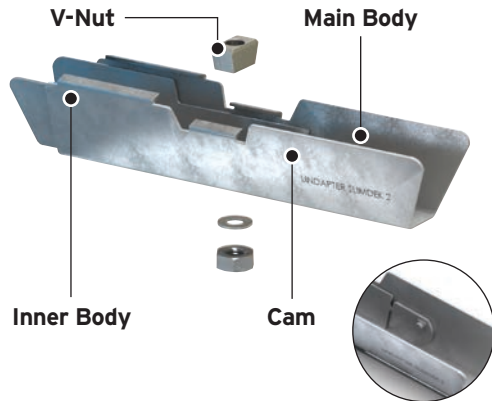


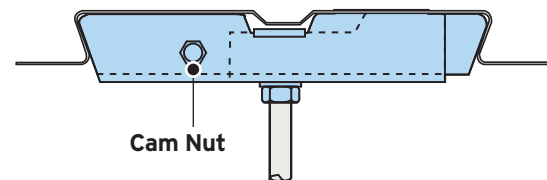
Type SD2 - Slimdek 2

Designed for the ComFlor® 225 profiles manufactured by Tata Steel, the Type SD2 offers a fully flexible suspension position.



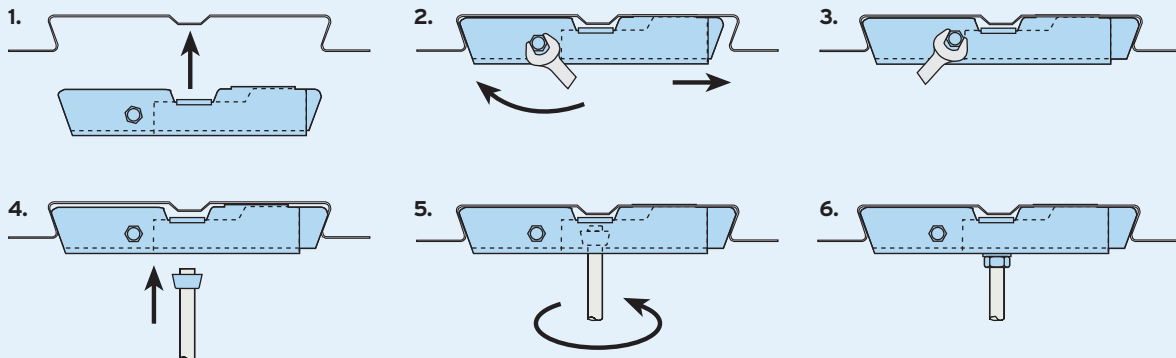
Material: Pre-galvanised strip.

Product Code	Rod min 4.6	Safe Working Load (FOS 3:1) Tensile / 1 Rod kN	Tightening Torque Nm
SD210	M10	1.0	12



How to install...

▶ Watch the installation video at www.Lindapter.com



- 1) With Slimdek 2 (SD2) in its retracted position (as supplied) locate the fixing in the re-entrant channel.
- 2) Hold SD2 in position with one hand, then rotate the cam nut in the direction shown above with a spanner.
- 3) Tighten the cam nut until the inner body of the fixing locates against the re-entrant channel.
- 4) Offer the V-Nut on a threaded rod up to the main body.
- 5) Rotate the V-Nut through 90° to allow it to sit at the bottom of the SD2 body.
- 6) Secure the assembly with a nut.

- ▶ Install the decking fixings after the concrete has been poured and has reached full strength.
- ▶ If the decking profile is deformed or distorted, do not install the fixing. If in doubt, contact the Technical Support team for advice.

For Characteristic Resistances when designing a connection to Eurocode 3, refer to DoP No.021 on Lindapter's website or request the DoP Brochure >>

